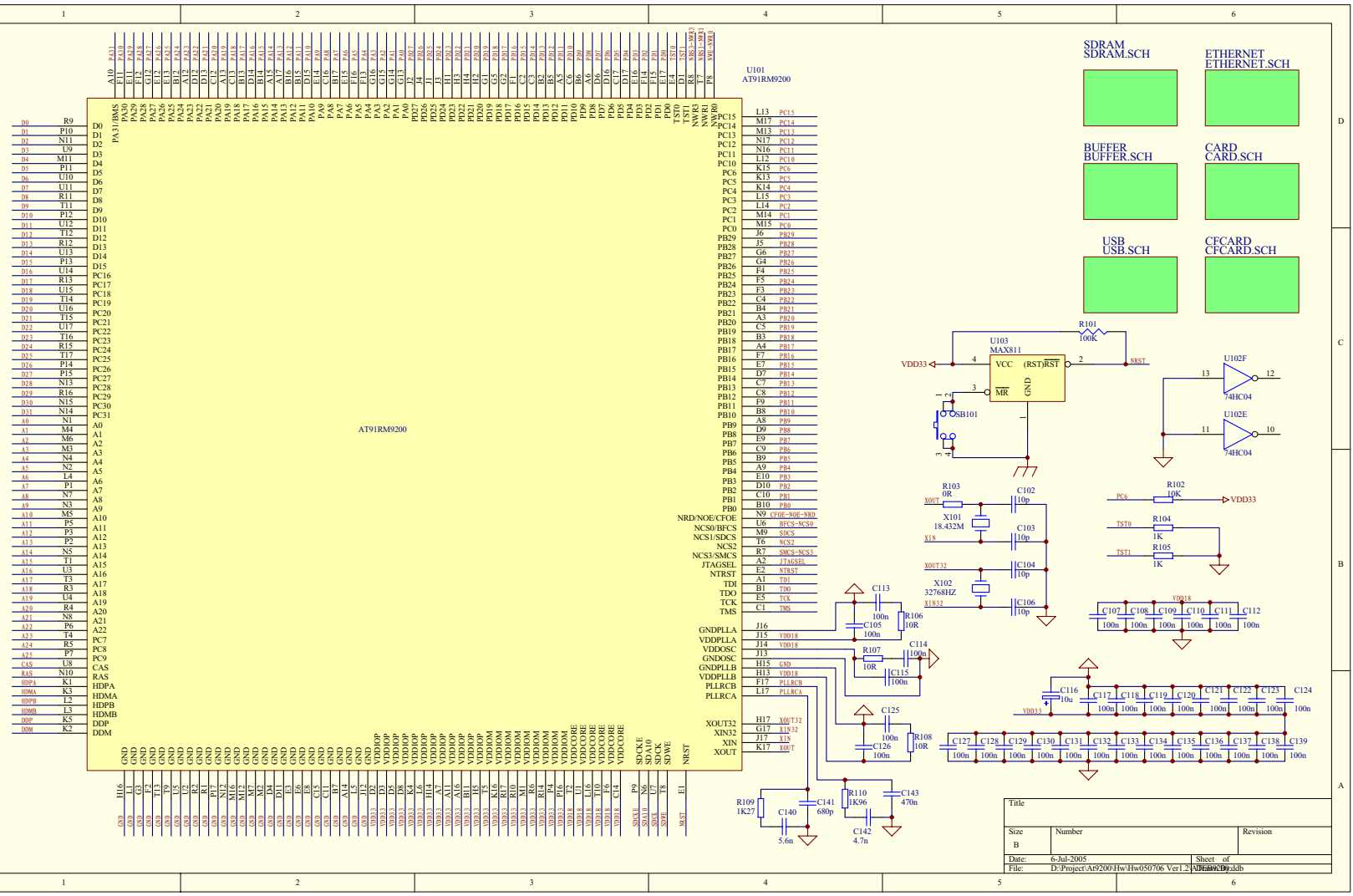
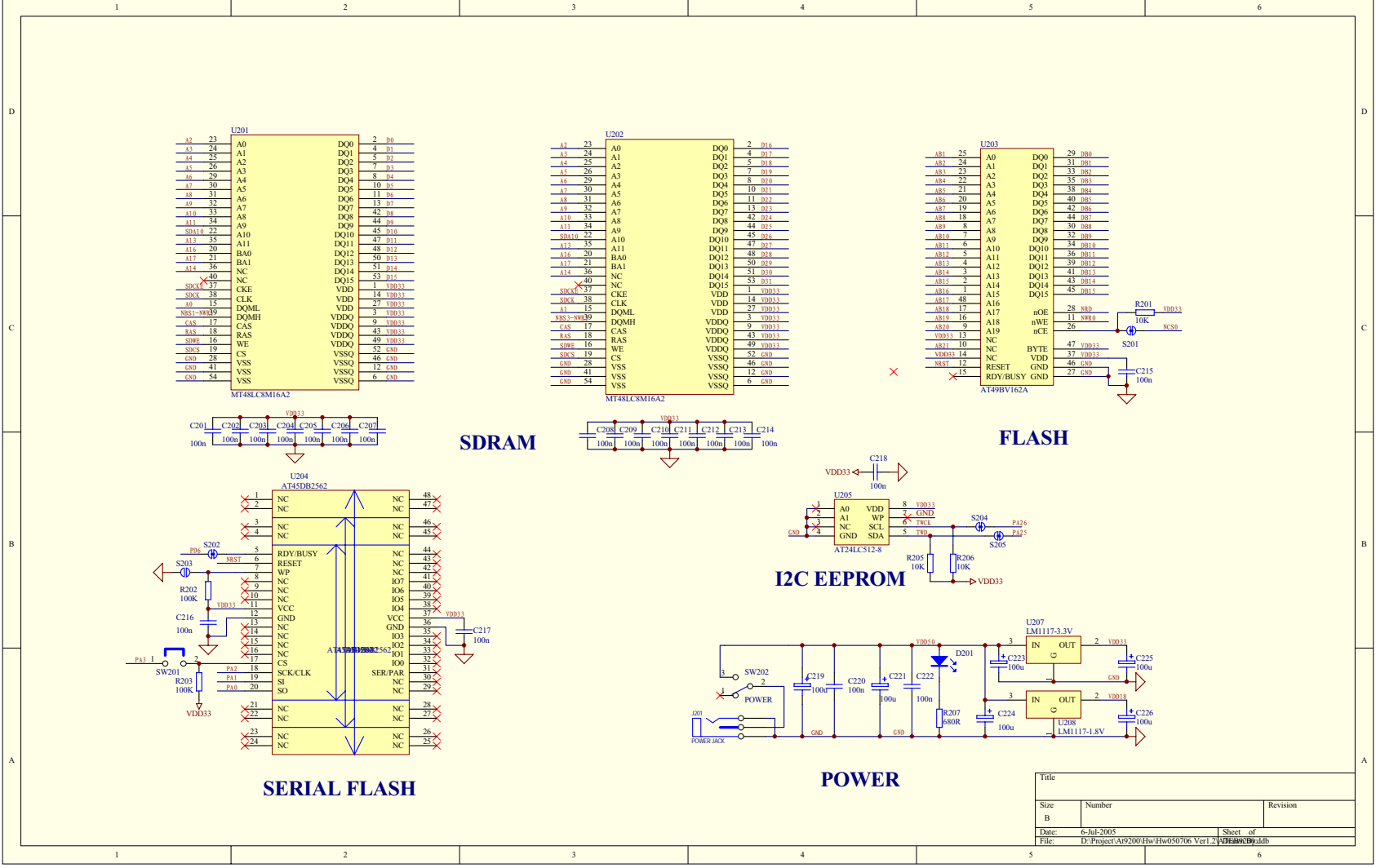


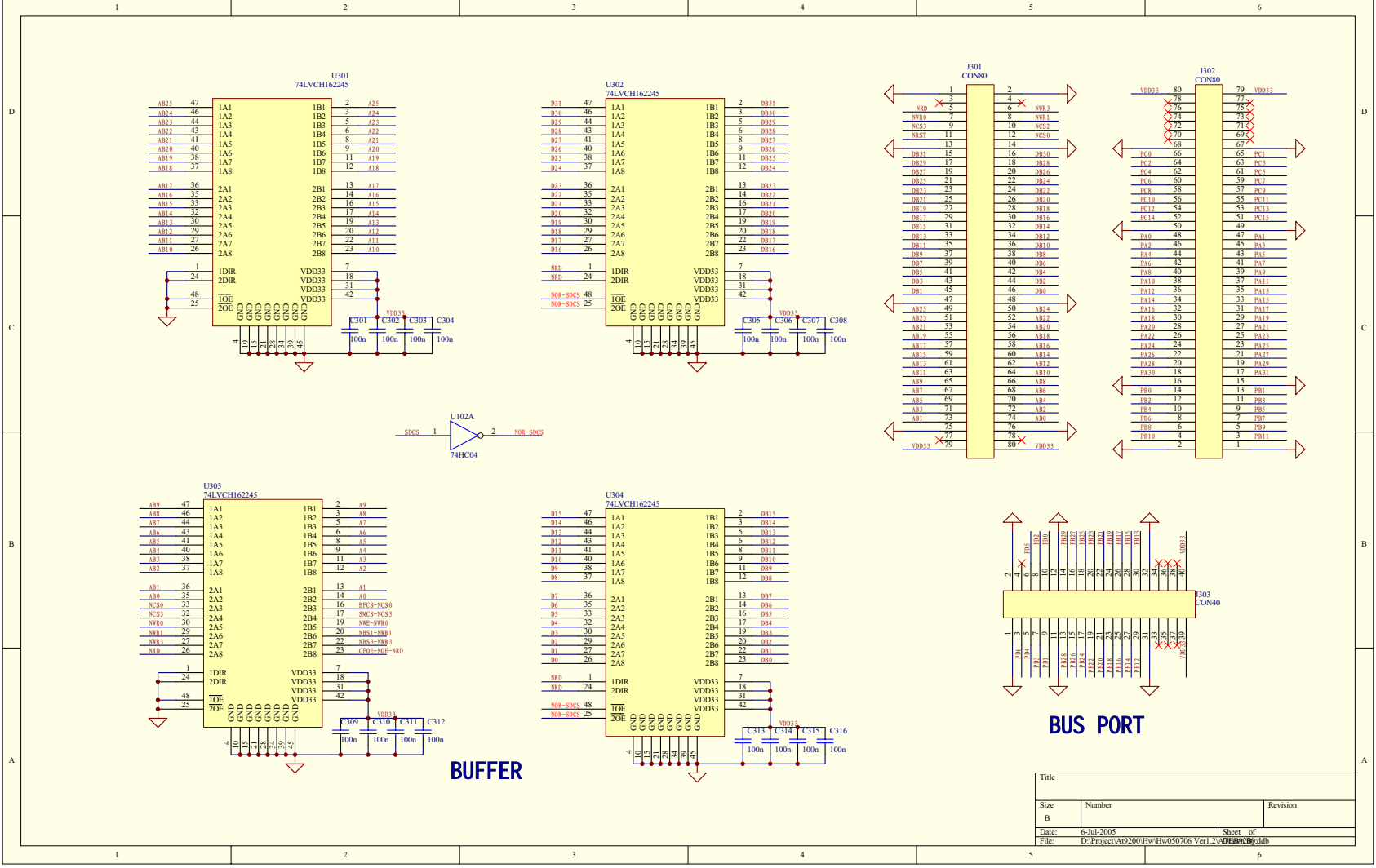
1
2
3
4
5
6

D
C
B
A



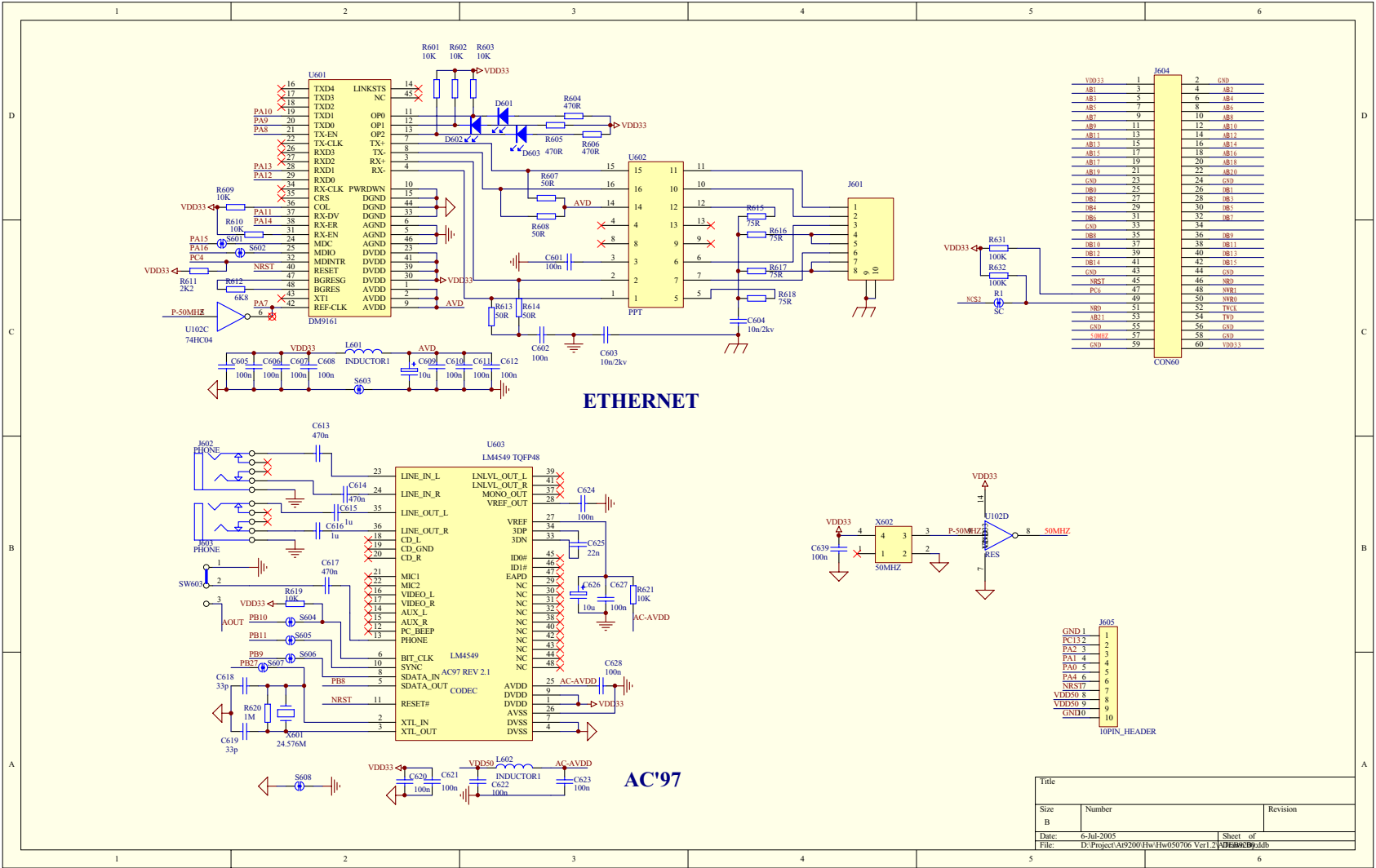
Title	6-Jul-2005	Revision
Size	6-Jul-2005	Sheet of
B	6-Jul-2005	U9200B9.ddb
Date:	6-Jul-2005	File:
File:	D:\Project\AP9200\Hw\Hw050706_Ver.1\U9200B9.ddb	



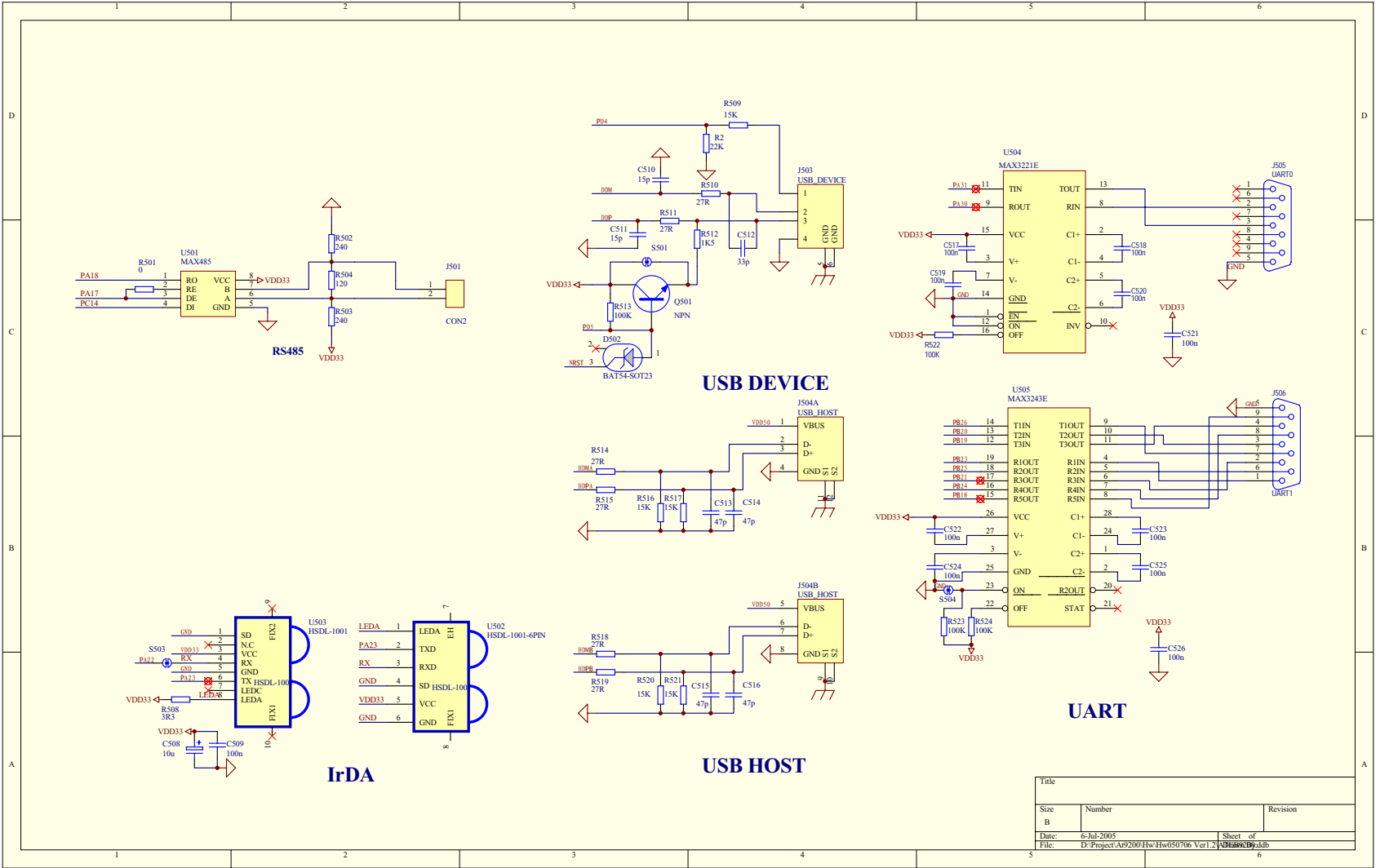


BUS PORT

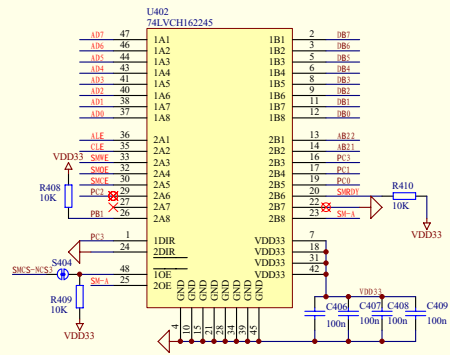
Title		
Size	Number	Revision
B		
Date:	6-Jul-2005	Sheet of
File:	D:\Project\AP92001\Hw\Hw050706 Ver.2	U301-01.ddb



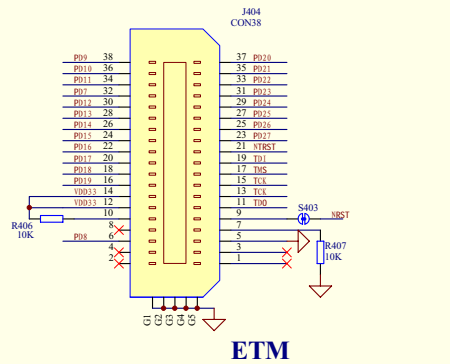
Title		
Size	Number	Revision
B		
Date:	6-Jul-2005	Sheet of
File:	D:\Project\AP9200\Hw\Hw050706_Ver.2	U601.dwg



Title		
Size	Number	Revision
B		
Date:	6-Jul-2005	Sheet of
File:	D:\Project\AP92001\Hw\Hw050706_Ver.1	U504B.dwg



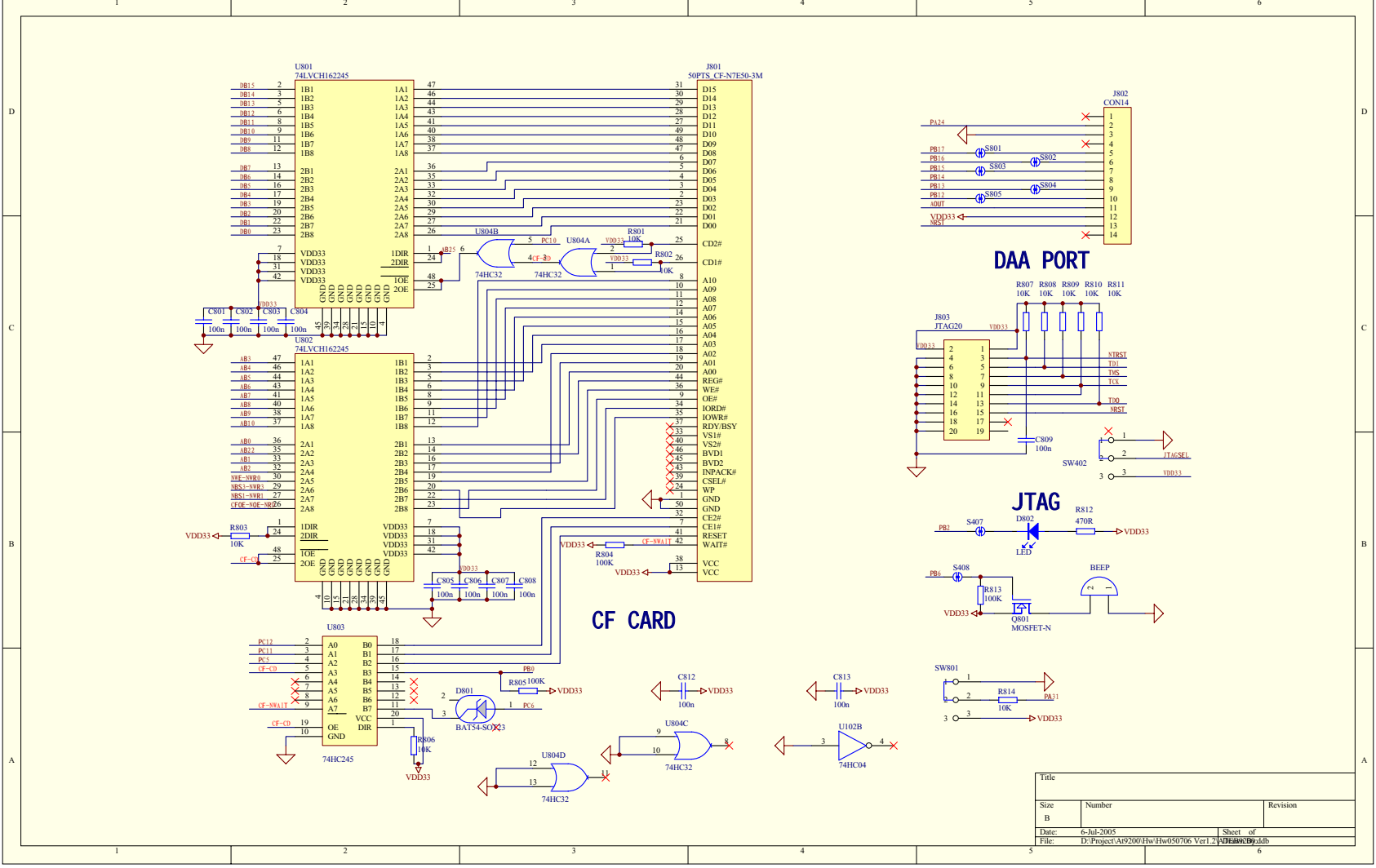
SMART MEDIA



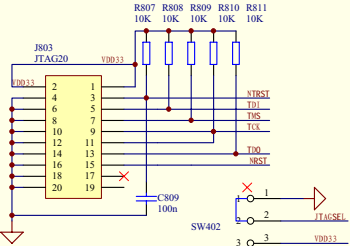
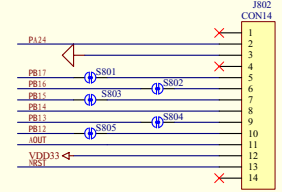
ETM

MMC/SD CARD

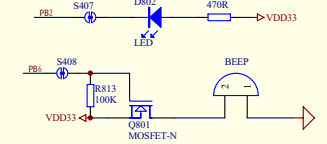
Title		
Size	Number	Revision
B		
Date:	6-Jul-2005	Sheet of
File:	D:\Project\AP92001\Hw\Hw050706_Ver1.2	U4649C09.ddb



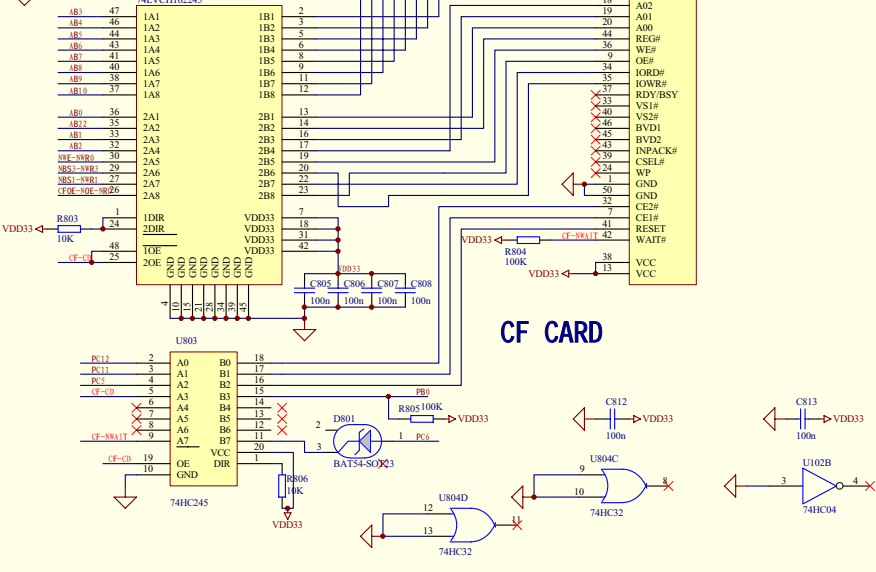
DAA PORT



JTAG



CF CARD



Title		
Size	Number	Revision
B		
Date:	6-Jul-2005	Sheet of
File:	D:\Project\AP92001\Hw\Hw050706_Ver.1	U801.dwg